

Recessed luminaire - Micro-prismatic diffuser - direct distribution

Sheet steel housing suitable for ceilings with visible T-rails, concealed symmetrical rail constructions and recessed ceilings; Housing colour traffic white RAL 9016; Direct radiant light distribution by means of micro-prism disk made of PMMA, a soft light is emitted on the outside with special ice-finish diffusers; light colour from warm white (927) to daylight white (965) with excellent colour consistency and colour rendering Ra>90; for monitor-based workplaces, 65° < 3000 cd/m² all-round anti-glare properties in accordance with the latest standard DIN-EN 12464-1; Integrated DALI LED drivers device type 8 (DT8). Electrical connection via 5-pole connection terminal with plug-in contacts.. TNE-BM mounting mechanism 4 pcs. 300/312 for concealed symmetrical rail constructions or recessed ceilings, please order separately. DALI control units must be ordered separately.

CHARACTERISTICS

Order number	50803416970
EAN number	4020863367283
Commodity code	94051190
Certification mark	IP 20, Protection class I, VDU 65°<3000, F, F-"roof" mark, Indoor, CE
Impact resistance (IK rating)	IK02
Ambient temperatur	ta 25°C
Special properties	Ready for IoT
Warranty period	5 years

ELECTRICAL ENGINEERING

Controller	Electronic driver DALI device type 8 (1 pcs.)
System output	49W
Mains voltage	230V/50Hz
Circuit breakers (inrush current)	13 pieces/B10, 22 pieces/B16, 21 pieces/C10, 36 pieces/C16
Energy efficiency class/light source	E

LIGHTING TECHNOLOGY

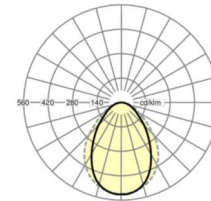
Placement	LED, Colour rendering/Light colour CRI ≥ 90 / 2700K-6500K continuously adjustable
Colour tolerance (MacAdam)	3SDCM
Photobiological safety (Luminaire)	RG0
Nominal luminous flux	3931lm
LED service life	50000h L80/B10 (Tq 25°C)
Luminaire luminous efficiency	81lm/W
UGR lat./long.	17.7 / 19.0

MECHANICS

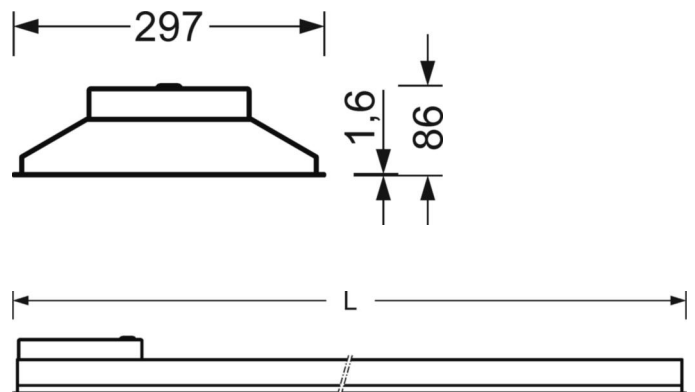
Housing colour	traffic white RAL 9016
Dimensions (LxWxH/DxH)	1197mm x 297mm x 86mm
Depth	84mm
Ceiling system	ceilings with visible T-rails [s-TS] (300x1200 mm), Concealed symmetrical rail construction [VS] (300x1200 mm), cut-out ceilings [AD]
Ceiling cut-out (LxW/D)	285mm x 1188mm
Installation depth	100mm [AD]; 250mm [s-TS]; 150mm [VS]
Weight (net)	6.64kg
Type of installation	Recessed mounting, Ceiling installation individual mounting

DEEP-LINK

<https://www.regiolux.de/en/article/50803416970>



Reference	LED 3900lm 927-965
ηLB	100 %
Φ ↓/↑	100 % / 0 %
UGR lat./long.	17.7 / 19.0
VDU	65° < 3000cd/m ²



Dimensions

L	1197 mm	Length
B	297 mm	Width
H	86 mm	Height
T	84 mm	Depth
DA(L)	285 mm	Cutting dimension length
DA(B)	1188 mm	Cutting dimension width
Et(AD)	100 mm	Ceiling distance minimum (cut-out ceiling)
Et(TS)	250 mm	Ceiling distance minimum - recommended (visible T-rail)
Et(VS)	150 mm	Ceiling distance minimum (concealed symmetrical)
MLTS1	1200 mm	Module dimension length (visible T-rail)
MLTS_1/2	1200	Module dimension length (visible T-rail) 1/2
MLVS	1200 mm	Module dimension length (concealed symmetrical)
MBTS1	300 mm	Module dimension width (visible T-rail)
MBTS_1/2	300	Module dimension width (visible T-rail) 1/2
MBVS	300 mm	Module dimension width (concealed symmetrical)